

Oceanus ROV System – Accessories

360° Rotating Manipulator Arm with Pincer Jaws

Designed,
engineered
manufactured
on-site. | MN

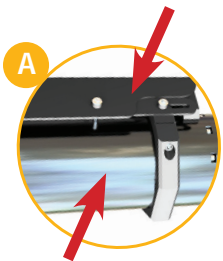
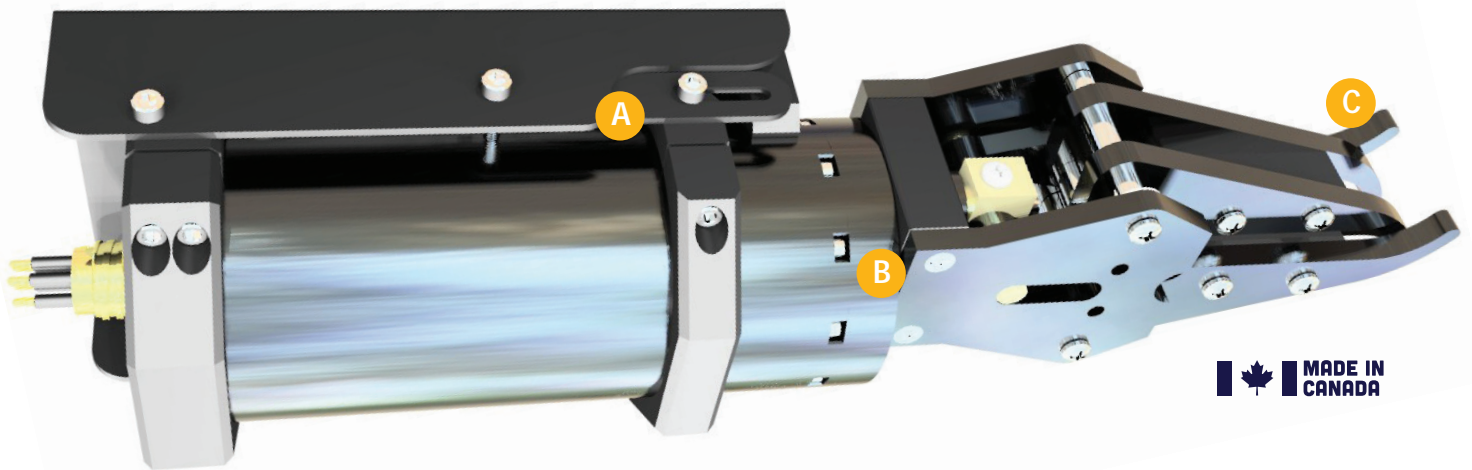
A00159 Oceanus ROV System Accessory -Rotating Manipulator-December 2022-PR10

MarineNav's 360° rotating manipulator arm is an essential ROV accessory, providing the power and precision required to perform complex gripping and recovery maneuvers to a maximum depth of 300 meters.

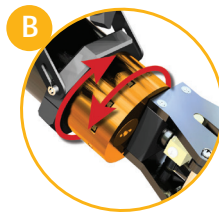
Constructed of marine-grade materials, including an aluminum mount and acetal housing, MarineNav's rotating manipulator is designed to withstand rugged environments. Four swappable unique jaw head attachments, each made from carbon fibre reinforced composite material, are designed to work with the manipulator's open and close motions and 360° continuous rotational movement. The manipulator arm is a front-facing accessory, visible through the ROV's front camera's field of view, controlled through the ROV's topside touch-sensitive Flight Control Software, or by using button commands on the Oceanus hand-held controller.

Illustration depicts MarineNav rotating manipulator arm with standard pincer head attachment. Contact a MarineNav representative for additional accessory heads, or bespoke attachments.

Part #: ROV-ACC-ARM-ROT



FABRICATED ON-SITE
Designed, fabricated and manufactured on-site from marine-grade materials including an aluminum mount and acetal housing.



360° HEAD ROTATION
Quick change manipulator arm head attachments are designed to provide full 360° rotation for greater maneuverability to complete complex gripping and retrieval tasks on the fly.



TOTAL ROV INTEGRATION
Designed integration with MarineNav ROV systems. Control arm functions by button commands using the Oceanus hand controller or commands through ROV touch-sensitive Flight Control Software.

MARINE NAV
BUILT NORTH ATLANTIC TOUGH.
TRUSTED EVERYWHERE.



© 2023 MarineNav Ltd.

1466 Panmure Island Rd – Rte 347
Panmure Island PE COA 1R0
902 838-7011
www.marinenav.ca

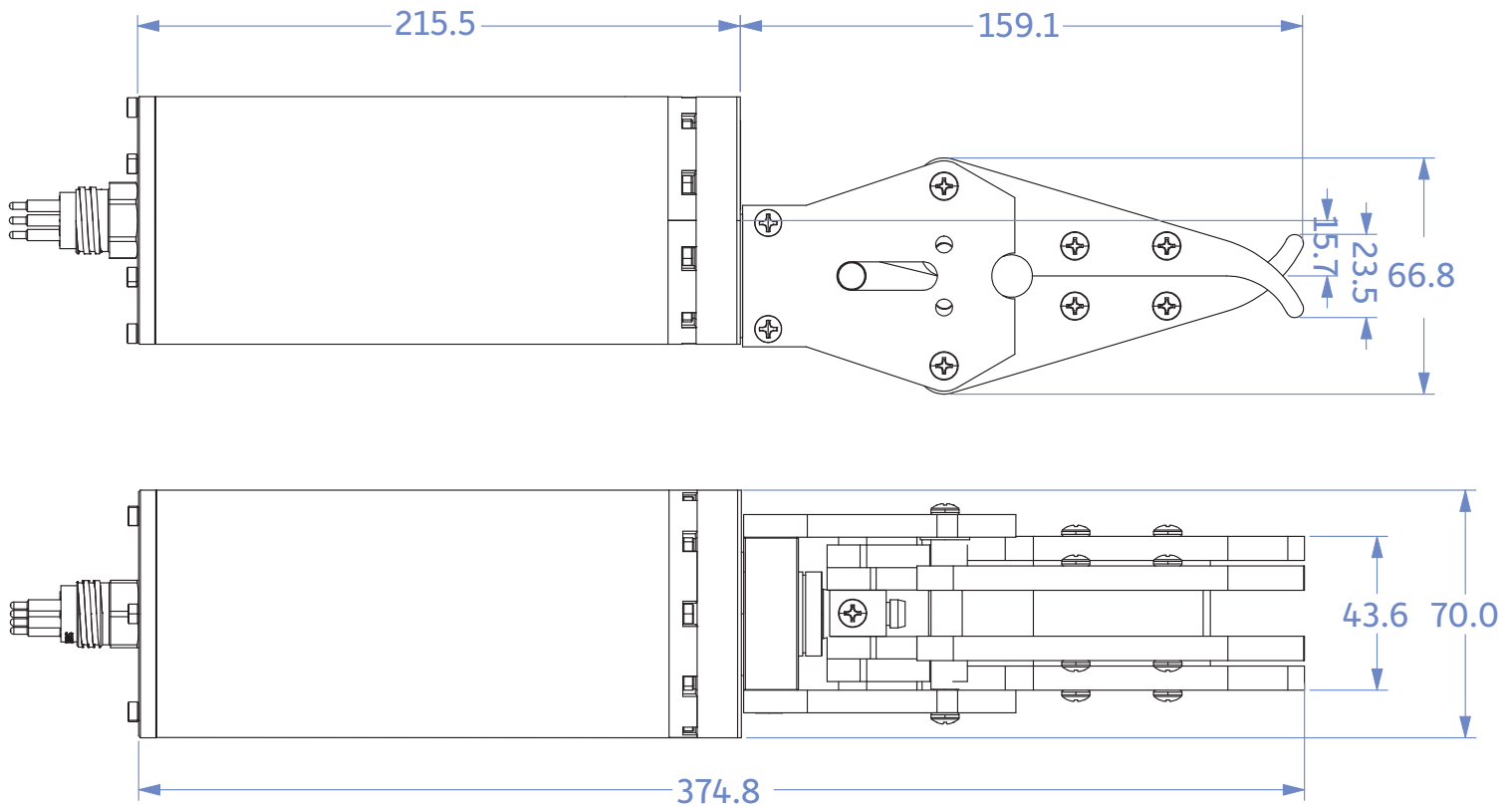
Oceanus ROV System – Accessories

360° Rotating Manipulator Arm with Pincer Jaws

Designed,
engineered
manufactured
on-site. | MN

A00159 Oceanus ROV System Accessory -Rotating Manipulator-December 2022-PR10

Dimensions*



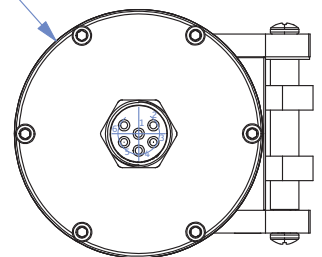
Overview*

Length (Rotating Arm)	215.5 mm
Length (Arm with Jaw)	374.8 mm
Length (Arm, Jaw & ROV Mount)	374.8 mm
Diameter (Rotating Arm)	70 mm
Width (Pincer Jaw Attachment)	66.8 mm
Width (Arm, Jaw & ROV Mount)	96 mm
Weight (Arm, Jaw & ROV Mount)	1665g

Mechanical Specifications*

Bite Force	300N (approx)
360° Jaw Rotation (No Load)	7.5 seconds
Jaw Opening	177.3 mm
Pincer Jaw Weight	290g
Time to Open/Close	14.2 seconds

Ø70.0



Electrical Specifications*

Supply Voltage (V_{in})	10 - 15VDC
Peak Current	3 amps

* Specifications, options, and availability subject to change without notice. Errors and omissions excepted. We reserve the right to limit quantities. Revised September 15, 2021.

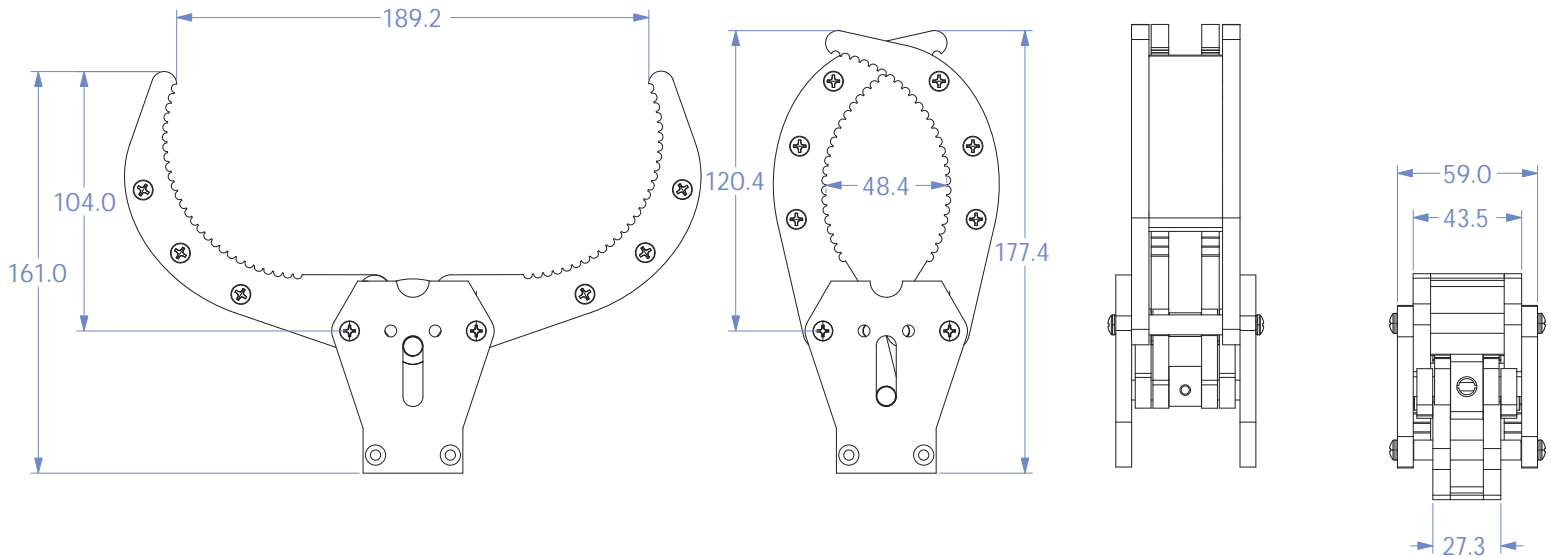
MARINENAV
BUILT NORTH ATLANTIC TOUGH.
TRUSTED EVERYWHERE.



© 2023 MarineNav Ltd.

1466 Panmure Island Rd – Rte 347
Panmure Island PE COA 1R0
902 838-7011
www.marinenav.ca

Dimensions - Claw Jaws*



Mechanical Specifications*

Bite Force	300N (approx)
360° Jaw Rotation (No Load)	7.5 seconds
Claw Jaw Weight	290g (approx)
Jaw Opening	189.2 mm
Time to Open/Close	14.2 seconds

Electrical Specifications*

Supply Voltage (V _{in})	10 - 15VDC
Peak Current	3 amps

*Specifications, options, and availability subject to change without notice. Errors and omissions excepted. We reserve the right to limit quantities. Revised September 15, 2021.

Designed versatility
with interchangeable
ROV manipulator
head attachments | MN